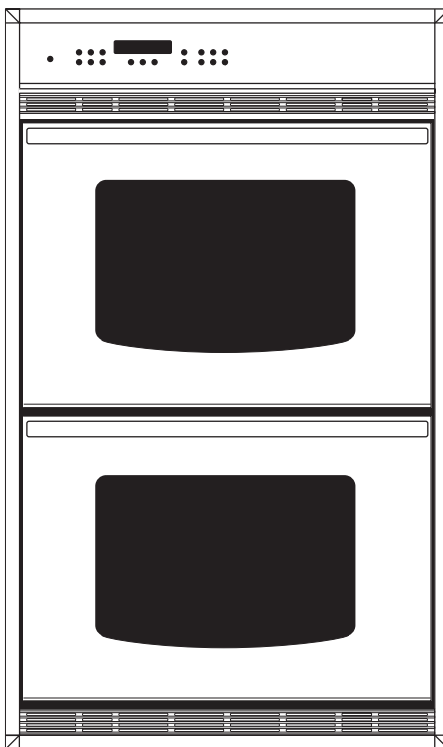


FACTORY PARTS CATALOG RANGE

Frigidaire

 **Electrolux**



PRODUCT NO.	BASE MODEL NO.	FACTORY NO.	COLOR	MARKET
GLEB30T8CBA	GLEB30T8C	37056391G3061	black	North America
GLEB30T8CSA	GLEB30T8C	37056391G3011	white	North America

WIRING DIAGRAM - # 318046110
OWNER'S GUIDE - # 318200919
TIMER INSTRUCTION SHEET - # 318200130
INSTALLATION INSTRUCTIONS - # 318201509

ELECTRIC
WALL OVEN

Model No.
GLEB30T8C

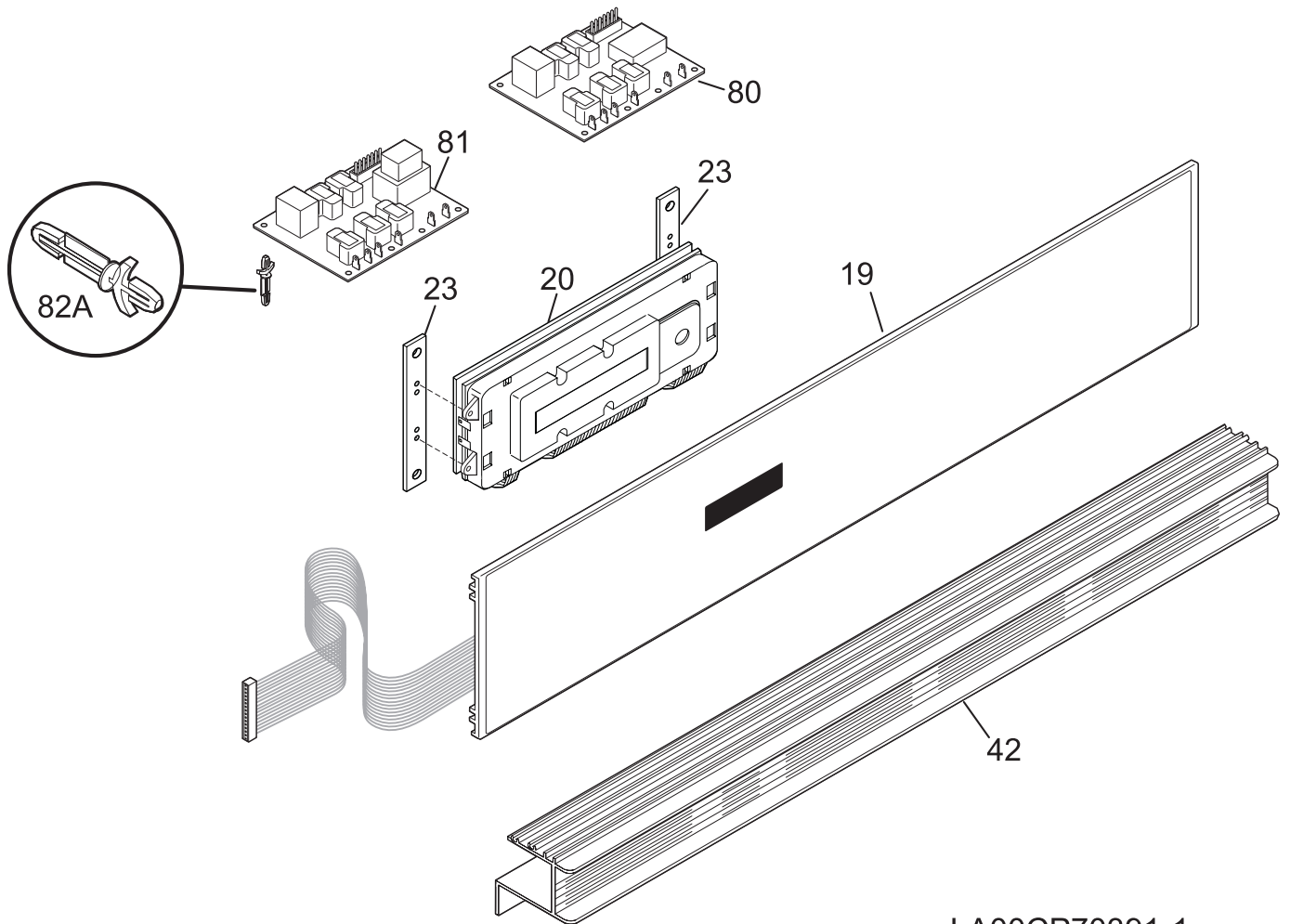
 **Electrolux**

ELECTROLUX HOME PRODUCTS, INC.
 P.O. BOX 212378, Augusta, GA 30917

Publication No.
 5995383857
 030109
 -EN/SERVICE /ECL
 377

©2003 Electrolux Home Products, Inc.
 All rights reserved

CONTROL PANEL



LA00CP70391-1

CONTROL PANEL

A = GLEB30T8C (GLEB30T8CSA)
B = GLEB30T8C (GLEB30T8CBA)

POS. NO	PART NO		DESCRIPTION
19	318030148	A -	Panel,control ,white
19	318030149	- B	Panel,control ,black
20 #	318010501	A B	Clock/Timer,EOC
23	318015110	A B	Bracket,clock mtg
42	318027405	A -	Trim,vent ,white
42	318027410	- B	Trim,vent ,black
80 #	318022001	A B	Relay Board
81 #	318022002	A B	Relay Board,w/transformer
82A	5303317199	A B	Support,snap-in ,(3)
*	3201861	A B	Screw,6 x 0.375

UPPER OVEN

A = GLEB30T8C (GLEB30T8CSA)
B = GLEB30T8C (GLEB30T8CBA)

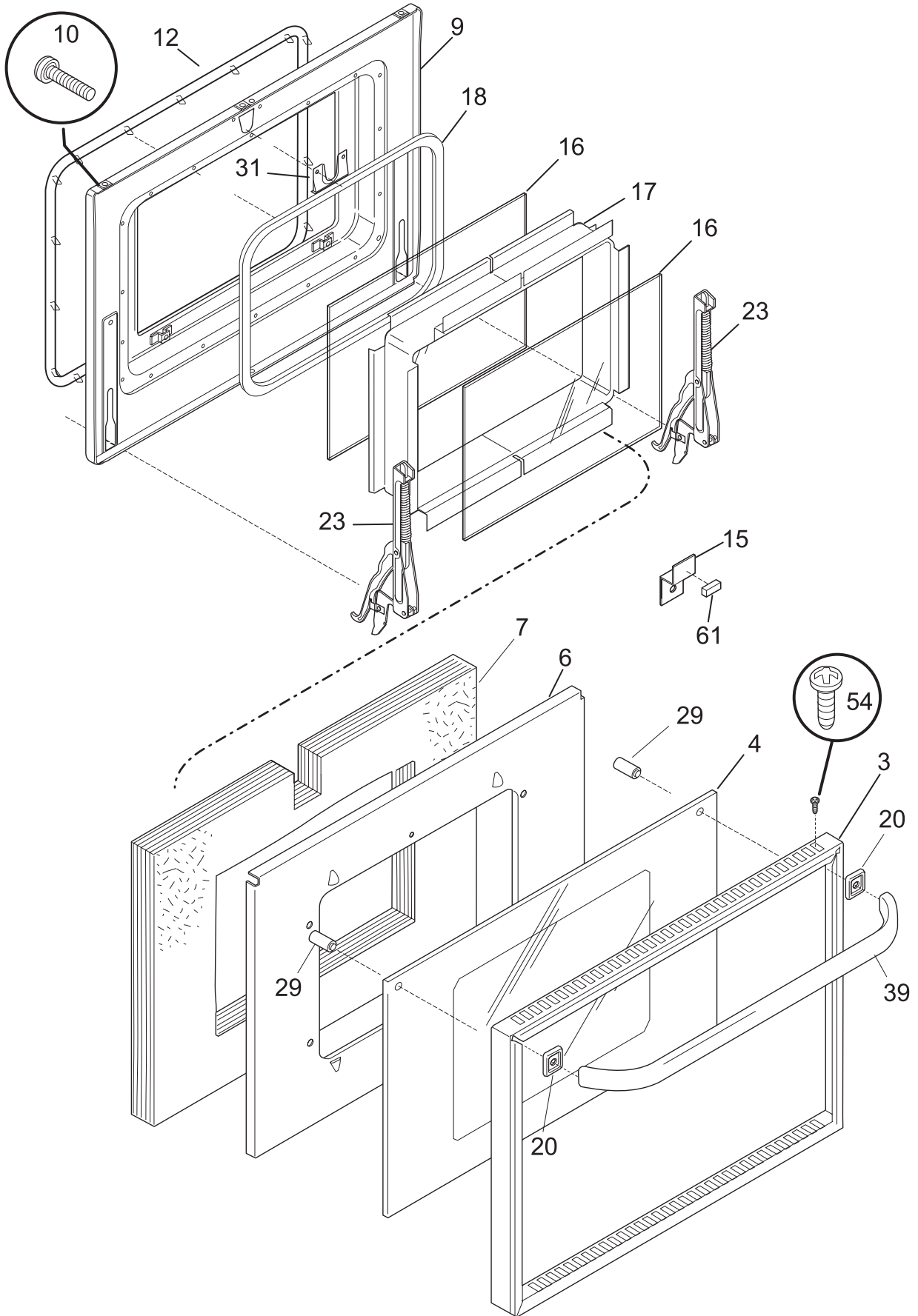
POS. NO	PART NO		DESCRIPTION
1	318066402	A B	Panel,main back
2	318102101	A B	Shield,oven top
2A	318071705	A B	Shield,oven top
6	318025308	A B	Rack,oven
6A	318219500	A B	Rack,broiler pan
9	5303317977	A B	Pan,broiler
10	5303317976	A B	Insert,broiler pan
12 #	318089913	A B	Switch,light
14	5308011085	A B	Receptacle,oven light
15	5303013071	A B	Bulb/Lamp,oven light
16	3201911	A B	Cover,oven light ,glass
17	5304400195	A B	Retainer,light cover
37 #	316111203	A B	Sensor,oven temp probe
41	5303310526	A B	Cover,hinge cutout
54	5303310514	A B	Housing,oven light
58A	318133744	A B	Insulation,oven wrapper
58B	318133769	A B	Insulation,oven back
59	318072506	A B	Tube,oven vent
62 #	5303310518	A B	Terminal Block
62*	5303323144	A B	Nut,10-32
66 #	5303310513	A B	Element,broil ,2750 W
67 #	5303310512	A B	Element,bake ,3000 W
68	5304403015	A B	Support,element hanger
70	5303300142	A B	Shield,insulation
76	318056202	A B	Front,oven
80	5303320846	A B	Plate,oven mtg
81	318192400	A B	Spring,oven
82	318072301	A B	Shield,oven bottom
83	318089616	A B	Liner,oven complete
86	5303310524	A B	Receptacle,hinge
88	5303311222	A B	Rod,latch
89 #	318095934	A B	Motor,latch assy ,w/brkt & switch
89*	318120711	A B	Switch
107	318219401	A B	Cover,fan
108#	318073012	A B	Motor,blower
109	5303311203	A B	Blade,fan
111	316136600	A B	Nut,fan retainer
119#	318004900	A B	Switch,thermal
125#	5303311202	A B	Motor,convection
127	5303310542	A B	Adapter,vent tube ,with converter
128	5303311163	A B	Bushing
129	5303311164	A B	Spring
131	318102301	A B	Cover,control housing
132	318101704	A B	End,cover ,RH ,control housing
132A	318101705	A B	End,cover ,LH ,control housing
177	318053800	A B	Gasket,vent
185	318014700	A B	Spacer,oven shield
222	318080000	A B	Plate,oven temp probe
263	316136500	A B	Washer,fan motor
264	318143815	- B	Shield,wire
* #	318078507	A B	Box & wires assy
*	5303311207	A B	Tube,protector
*	08002868	A B	Screw,10-24 x 0.500 ,probe,thrm brkt ,shield,drwr,box
*	5303211311	A B	Screw,8 x 0.500
*	5303302745	A B	Screw,10-16x1-1/8 ,square drive
*	5303311528	A B	Screw,oval hd sq dr ,6-20AB x 0.625 ,black
*	5303323139	A B	Screw,10-24 x 0.906

LOWER OVEN

A = GLEB30T8C (GLEB30T8CSA)
B = GLEB30T8C (GLEB30T8CBA)

POS. NO	PART NO		DESCRIPTION
1	318066402	A B	Panel,main back
2A	318071704	A B	Shield,oven top
6	318025308	A B	Rack,oven
12 #	318089913	A B	Switch,light
14	5308011085	A B	Receptacle,oven light
15	5303013071	A B	Bulb/Lamp,oven light
16	3201911	A B	Cover,oven light ,glass
17	5304400195	A B	Retainer,light cover
37 #	316111203	A B	Sensor,oven temp probe
41	5303310526	A B	Cover,hinge cutout
54	5303310514	A B	Housing,oven light
56	318034404	A -	Trim,bodyside ,white ,w/ends
56	318034403	- B	Trim,bodyside ,black ,w/ends
56A	318083501	A -	Trim,top & bottom ,white
56A	318083500	- B	Trim,top & bottom ,black
58A	318133744	A B	Insulation,oven wrapper
58B	318133769	A B	Insulation,oven back
58C	318133755	A B	Insulation
58D	318133757	A B	Insulation
59	318072504	A B	Tube,oven vent
59A	5303320844	A B	Tube,oven vent
66 #	5303310513	A B	Element,broil ,2750 W
67 #	5303310512	A B	Element,bake ,3000 W
68	5304403015	A B	Support,element hanger
70	5303300142	A B	Shield,insulation
71	318071211	A B	Shield,wire
76	318056202	A B	Front,oven
80	5303320846	A B	Plate,oven mtg
81	318192400	A B	Spring,oven
82	318072302	A B	Shield,oven bottom
83	318089615	A B	Liner,oven complete
86	5303310524	A B	Receptacle,hinge
88	5303311222	A B	Rod,latch
89 #	318095934	A B	Motor,latch assy ,w/brkt & switch
89*	318120711	A B	Switch
96	5303317197	A B	Duct,oven vent ,assy
96A	3016325	A B	Duct,oven vent ,center
98	318029211	A B	Trim-bodyside,black ,RH
98A	318029213	A B	Trim-bodyside,black ,LH
99	318055410	A B	Support,adjustable ,(2)
102	318090900	A B	Support,oven front ,(2)
103	318028501	A -	Trim,base ,white
103	318028500	- B	Trim,base ,black
107	318219401	A B	Cover,fan
109	5303311203	A B	Blade,fan
111	316136600	A B	Nut,fan retainer
119#	318004900	A B	Switch,thermal
124	318076903	A B	Box,vent
125#	5303311202	A B	Motor,convection
125*	318142100	A B	Washer,motor ,convection
127	5303310542	A B	Adapter,vent tube ,with converter
128	5303311163	A B	Bushing
129	5303311164	A B	Spring
130	318070801	A -	End Cap,trim ,white
130	318070800	- B	End Cap,trim ,black
150	318072205	A B	Bracket,support ,LH
150A	318072204	A B	Bracket,support ,RH
156	5303317198	A B	Bracket,oven vent
177	318053800	A B	Gasket,vent
185	318014700	A B	Spacer,oven shield
188	318014110	A B	Spacer
209	318086200	A B	Plate,retainer
222	318080000	A B	Plate,oven temp probe
263	316136500	A B	Washer,fan motor
*	5303311207	A B	Tube,protector
*	08002868	A B	Screw,10-24 x 0.500 ,probe,thrm brkt ,shield,drwr,box
*	5303211311	A B	Screw,8 x 0.500

DOOR



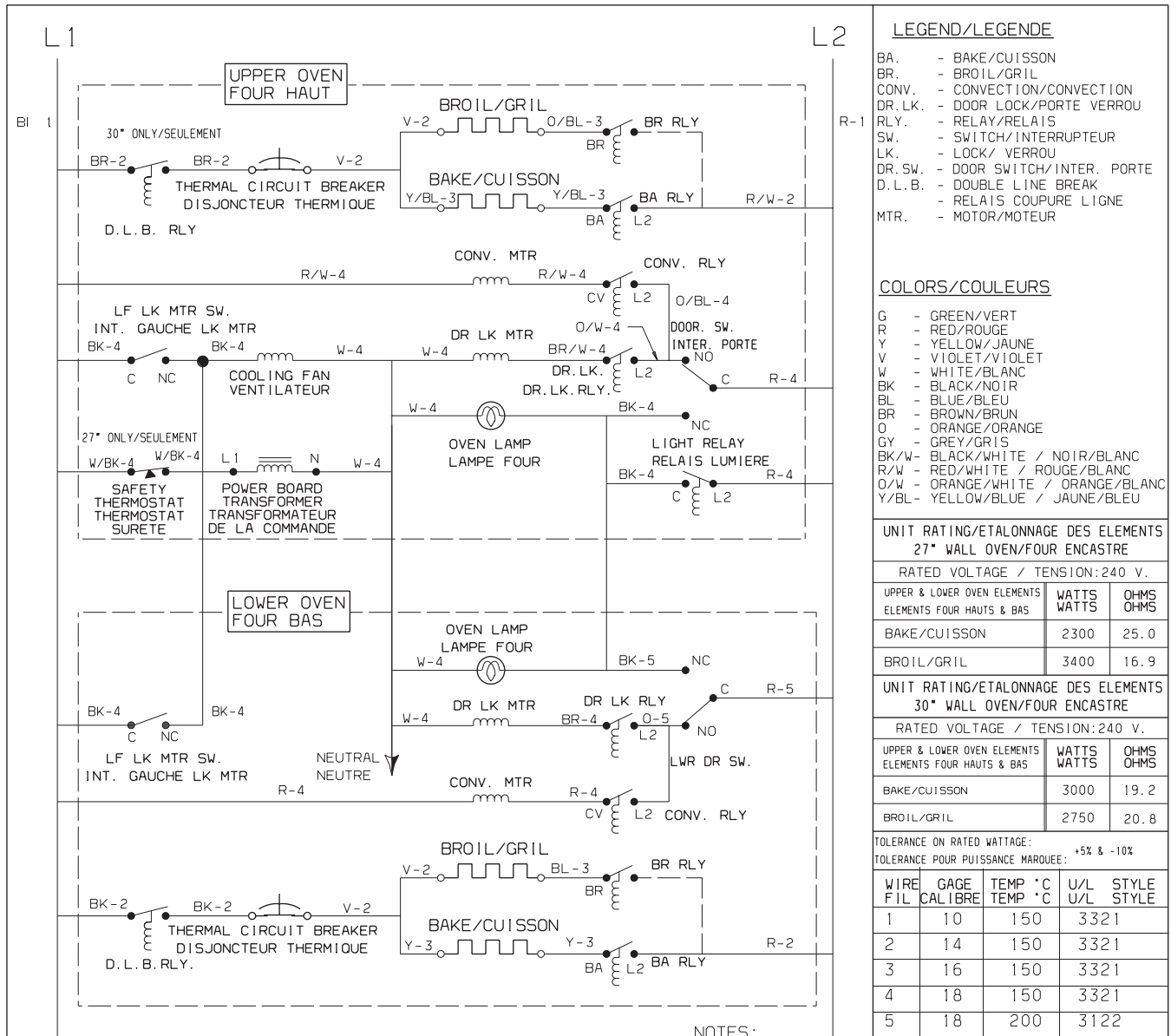
LA00D71391-1C

DOOR

A = GLEB30T8C (GLEB30T8CSA)
B = GLEB30T8C (GLEB30T8CBA)

POS. NO	PART NO		DESCRIPTION
3	318026130	A -	Trim,oven door ,white
3	318026720	- B	Trim,oven door ,black
4	318041314	A -	Glass,oven door ,white ,outer
4	318041315	- B	Glass,oven door ,black ,outer
6	318056811	A B	Shield,air wash
7	318133754	A B	Insulation,oven door
9	318048606	A B	Liner,oven door
10	5303311217	A B	Screw,handle ,door
12	318053103	A B	Gasket,oven door seal
15	318091102	A B	Bracket,glass ,(3)
16	318041603	A B	Panel,glass ,inner oven door
17	318042102	A B	Spacer,glass
18	318053001	A B	Seal>window
20	318014301	A -	Spacer,handle ,white ,(2)
20	318014300	- B	Spacer,handle ,black ,(2)
23	5303310506	A B	Hinge,oven door ,assembly
29	318014400	A B	Spacer,door
31	318065102	A B	Latch,door
39	316091111	A -	Handle,oven door ,white
39	316091110	- B	Handle,oven door ,black
54	5303308456	A B	Screw,8-18 x 0.531 ,black ,door frame
61	5303316982	A B	Foam seal,(3)
*	5303211311	A B	Screw,8 x 0.500
*	5303323277	A B	Screw (8-18X13/32)

WIRING DIAGRAM



LEGEND/LEGENDE

- BA. - BAKE/CUISSON
- BR. - BROIL/GRIL
- CONV. - CONVECTION/CONVECTION
- DR. LK. - DOOR LOCK/PORTE VERROU
- RLY. - RELAY/RELAIS
- SW. - SWITCH/INTERRUPTEUR
- LK. - LOCK/ VERROU
- DR. SW. - DOOR SWITCH/INTER. PORTE
- D.L.B. - DOUBLE LINE BREAK
- RELAIS COUPEUR LIGNE
- MTR. - MOTOR/MOTEUR

COLORS/COULEURS

- G - GREEN/VERT
- R - RED/ROUGE
- Y - YELLOW/JAUNE
- V - VIOLET/VIOLET
- W - WHITE/BLANC
- BK - BLACK/NOIR
- BL - BLUE/BLEU
- BR - BROWN/BRUN
- O - ORANGE/ORANGE
- GY - GREY/GRIS
- BK/W - BLACK/WHITE / NOIR/BLANC
- R/W - RED/WHITE / ROUGE/BLANC
- O/W - ORANGE/WHITE / ORANGE/BLANC
- Y/BL - YELLOW/BLUE / JAUNE/BLEU

UNIT RATING/ETALONNAGE DES ELEMENTS
27" WALL OVEN/FOUR ENCASTRE

RATED VOLTAGE / TENSION: 240 V.		
UPPER & LOWER OVEN ELEMENTS ELEMENTS FOUR HAUTS & BAS	WATTS WATTS	OHMS OHMS
BAKE/CUISSON	2300	25.0
BROIL/GRIL	3400	16.9

UNIT RATING/ETALONNAGE DES ELEMENTS
30" WALL OVEN/FOUR ENCASTRE

RATED VOLTAGE / TENSION: 240 V.		
UPPER & LOWER OVEN ELEMENTS ELEMENTS FOUR HAUTS & BAS	WATTS WATTS	OHMS OHMS
BAKE/CUISSON	3000	19.2
BROIL/GRIL	2750	20.8

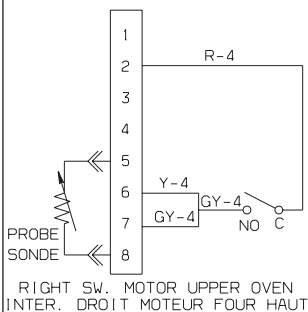
TOLERANCE ON RATED WATTAGE:
TOLERANCE POUR PUISSANCE MARQUEE: +5% & -10%

WIRE FIL	GAGE CALIBRE	TEMP °C TEMP °C	U/L U/L	STYLE STYLE
1	10	150		3321
2	14	150		3321
3	16	150		3321
4	18	150		3321
5	18	200		3122

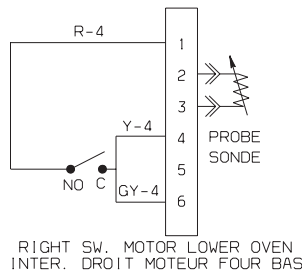
NOTES:

- 1- OVEN CONDITION: CONTROLLER SET TO "OFF", OVEN DOOR CLOSED AND UNLOCKED.
- CONDITION FOUR: TOUTES LES COMMANDES SONT EN POSITION "ARRET", QUE LA PORTE EST FERMEE ET NON VERROUILLEE.
- 2- USE COPPER WIRE ONLY.
- UTILISER SEULEMENT DU FIL DE CUIVRE.

CONTROL CONNECTOR BLOCK J4
CONNECTEUR J4 DE LA COMMANDE



CONTROL CONNECTOR BLOCK J6
CONNECTEUR J6 DE LA COMMANDE



CAUTION/ATTENTION:
DISCONNECT POWER BEFORE SERVICING UNIT.
COUPER LE COURANT AVANT D'EFFECTUER LA REPARATION.

LEGEND LEGENDE	POSITION	RELAY/RELAIS UPPER AND LOWER OVENS FOURS HAUT & BAS				
		L2	L2	L2	L2	DLB
O= OPEN EN MARCHÉ	OFF/ARRET	O	O	O	O	O
X= CLOSE ARRET	BAKE/CUISSON	CY	CY	O	O	X
CY= CYCLING CYCLAGE	BROIL/GRIL	O	CY	O	O	X
	CONVECTION	CY	CY	X	O	X
	CLEAN/NETTOYAGE	CY	CY	O	CY	X

318046110 REV. C